

КОСТНЫЕ СТЕРЖНИ, ПРОВОЛОКА, ШТИФТЫ, СКОБЫ
BONE NAILS, WIRES, PINS, STAPLES

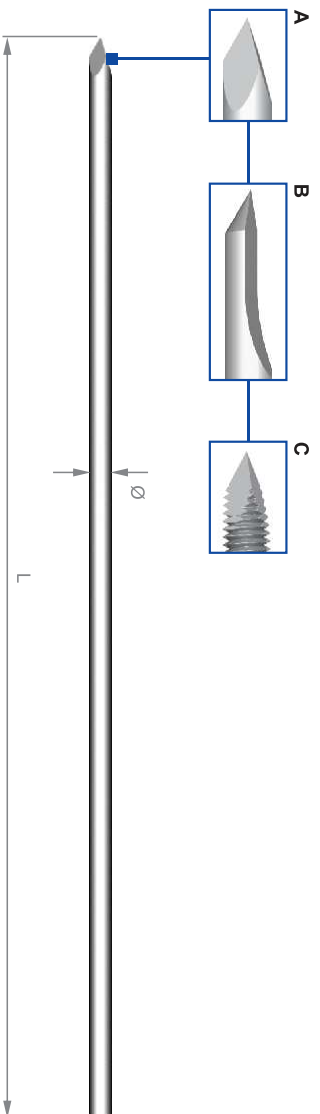


MEDGAL

сделано в польше - polish manufacturer

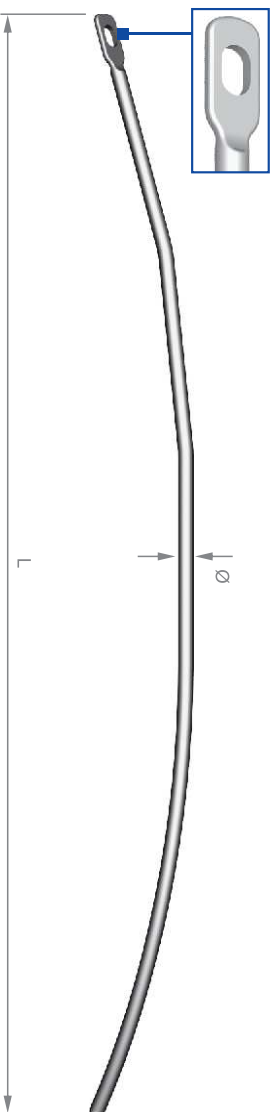
ДОСТУПНЫЕ ТИПЫ ПРОДУКЦИИ / AVAILABLE TYPES OF PRODUCTS

Первая цифра № в каталоге First part of REF №.	Типы / Types
4	Сталь / Steel plates
1	Титан / Titanium plates
5	Покрытие нано-кристаллическим / Nano - cristal diamond coated алмазом

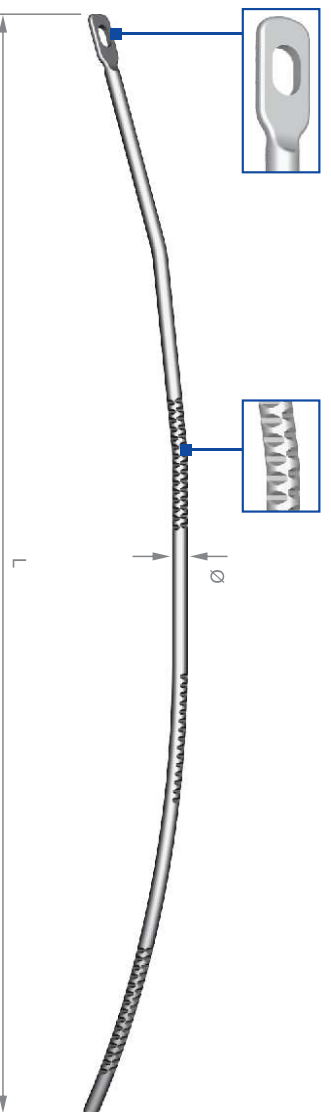


▶
СТИЦА КИРШНЕРА
KIRSCHNER WIRE

Ø [mm]	L [mm]	Лезвие А / Blade A	Лезвие В / Blade B	Лезвие С / Blade C
0,8	70	4-06-01-07	4-06-01-07/01	-
0,8	150	4-06-01-15	4-06-01-15/01	-
0,8	210	4-06-01-21	4-06-01-21/01	-
0,8	310	4-06-01-31	4-06-01-31/01	-
1,0	150	4-06-02-15	4-06-02-15/01	4-06-02-15/02
1,0	210	4-06-02-21	4-06-02-21/01	4-06-02-21/02
1,0	310	4-06-02-31	4-06-02-31/01	4-06-02-31/02
1,2	150	4-06-03-15	4-06-03-15/01	4-06-03-15/02
1,2	210	4-06-03-21	4-06-03-21/01	4-06-03-21/02
1,2	310	4-06-03-31	4-06-03-31/01	4-06-03-31/02
1,4	150	4-06-04-15	4-06-04-15/01	-
1,4	210	4-06-04-21	4-06-04-21/01	-
1,4	310	4-06-04-31	4-06-04-31/01	-
1,5	150	4-06-05-15	4-06-05-15/01	4-06-05-15/02
1,5	210	4-06-05-21	4-06-05-21/01	4-06-05-21/02
1,5	310	4-06-05-31	4-06-05-31/01	4-06-05-31/02
1,5	380	4-06-05-38	4-06-05-38/01	4-06-05-38/02
1,6	150	4-06-05-15	4-06-05-15/01	4-06-05-15/02
1,6	210	4-06-05-21	4-06-05-21/01	4-06-05-21/02
1,6	310	4-06-05-31	4-06-05-31/01	4-06-05-31/02
1,6	380	4-06-05-38	4-06-05-38/01	4-06-05-38/02
1,8	150	4-06-07-15	4-06-07-15/01	4-06-07-15/02
1,8	210	4-06-07-21	4-06-07-21/01	4-06-07-21/02
1,8	310	4-06-07-31	4-06-07-31/01	4-06-07-31/02
1,8	380	4-06-07-38	4-06-07-38/01	4-06-07-38/02
2,0	150	4-06-08-15	4-06-08-15/01	4-06-08-15/02
2,0	210	4-06-08-21	4-06-08-21/01	4-06-08-21/02
2,0	310	4-06-08-31	4-06-08-31/01	4-06-08-31/02
2,0	380	4-06-08-38	4-06-08-38/01	4-06-08-38/02
2,2	150	4-06-09-15	4-06-09-15/01	-
2,2	210	4-06-09-21	4-06-09-21/01	-
2,2	310	4-06-09-31	4-06-09-31/01	-
2,2	380	4-06-09-38	4-06-09-38/01	-
2,4	150	4-06-09-15	4-06-09-15/01	4-06-09-15/02
2,4	210	4-06-09-21	4-06-09-21/01	4-06-09-21/02
2,4	310	4-06-09-31	4-06-09-31/01	4-06-09-31/02
2,4	380	4-06-09-38	4-06-09-38/01	4-06-09-38/02
2,5	150	4-06-10-15	4-06-10-15/01	4-06-10-15/02
2,5	210	4-06-10-21	4-06-10-21/01	4-06-10-21/02
2,5	310	4-06-10-31	4-06-10-31/01	4-06-10-31/02
2,5	380	4-06-10-38	4-06-10-38/01	4-06-10-38/02
3,0	150	4-06-11-15	4-06-11-15/01	4-06-11-15/02
3,0	210	4-06-11-21	4-06-11-21/01	4-06-11-21/02
3,0	310	4-06-11-31	4-06-11-31/01	4-06-11-31/02
3,0	380	4-06-11-38	4-06-11-38/01	4-06-11-38/02

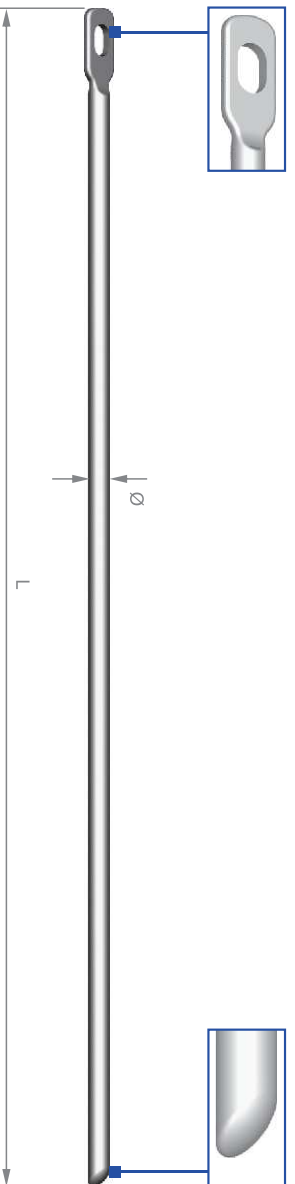


▶ **СТЕРЖЕНЬ ЭНДЕРА**
ENDER NAIL



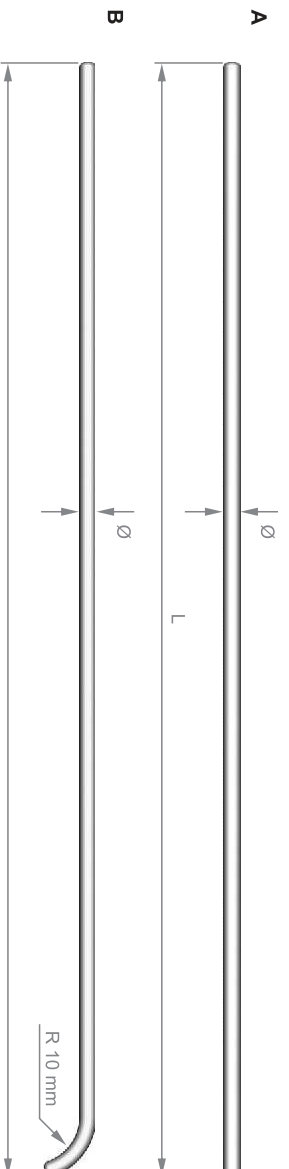
▶ **СТЕРЖЕНЬ ЭНДЕРА МОДИФИЦИРОВАННЫЙ**
ENDER NAIL - MODIFIED

L [mm]	СТЕРЖЕНЬ ЭНДЕРА					МОДИФИЦИРОВАННЫЙ / MODIFIED		
	Ø=3,5 [mm]	Ø=4,0 [mm]	Ø=4,5 [mm]	Ø=4,8 [mm]	Ø=5,0 [mm]	Ø=4,5 [mm]	Ø=4,8 [mm]	Ø=5,0 [mm]
180	4-06-13-18	4-06-14-18	4-06-15-18	-	-	4-06-17-18	4-06-12-18	4-06-18-18
190	4-06-13-19	4-06-14-19	4-06-15-19	-	-	4-06-17-19	4-06-12-19	4-06-18-19
200	4-06-13-20	4-06-14-20	4-06-15-20	-	-	4-06-17-20	4-06-12-20	4-06-18-20
210	4-06-13-21	4-06-14-21	4-06-15-21	-	-	4-06-17-21	4-06-12-21	4-06-18-21
220	4-06-13-22	4-06-14-22	4-06-15-22	-	-	4-06-17-22	4-06-12-22	4-06-18-22
230	4-06-13-23	4-06-14-23	4-06-15-23	-	-	4-06-17-23	4-06-12-23	4-06-18-23
240	4-06-13-24	4-06-14-24	4-06-15-24	-	-	4-06-17-24	4-06-12-24	4-06-18-24
250	4-06-13-25	4-06-14-25	4-06-15-25	-	-	4-06-17-25	4-06-12-25	4-06-18-25
260	4-06-13-26	4-06-14-26	4-06-15-26	-	-	4-06-17-26	4-06-12-26	4-06-18-26
270	4-06-13-27	4-06-14-27	4-06-15-27	-	-	4-06-17-27	4-06-12-27	4-06-18-27
280	4-06-13-28	4-06-14-28	4-06-15-28	-	-	4-06-17-28	4-06-12-28	4-06-18-28
290	4-06-13-29	4-06-14-29	4-06-15-29	-	-	4-06-17-29	4-06-12-29	4-06-18-29
300	4-06-13-30	4-06-14-30	4-06-15-30	4-06-94-30	4-06-16-30	4-06-17-30	4-06-12-30	4-06-18-30
310	4-06-13-31	4-06-14-31	4-06-15-31	4-06-94-31	4-06-16-31	4-06-17-31	4-06-12-31	4-06-18-31
320	4-06-13-32	4-06-14-32	4-06-15-32	4-06-94-32	4-06-16-32	4-06-17-32	4-06-12-32	4-06-18-32
330	4-06-13-33	4-06-14-33	4-06-15-33	4-06-94-33	4-06-16-33	4-06-17-33	4-06-12-33	4-06-18-33
340	4-06-13-34	4-06-14-34	4-06-15-34	4-06-94-34	4-06-16-34	4-06-17-34	4-06-12-34	4-06-18-34
350	4-06-13-35	4-06-14-35	4-06-15-35	4-06-94-35	4-06-16-35	4-06-17-35	4-06-12-35	4-06-18-35
360	4-06-13-36	4-06-14-36	4-06-15-36	4-06-94-36	4-06-16-36	4-06-17-36	4-06-12-36	4-06-18-36
370	4-06-13-37	4-06-14-37	4-06-15-37	4-06-94-37	4-06-16-37	4-06-17-37	4-06-12-37	4-06-18-37
380	4-06-13-38	4-06-14-38	4-06-15-38	4-06-94-38	4-06-16-38	4-06-17-38	4-06-12-38	4-06-18-38
390	4-06-13-39	4-06-14-39	4-06-15-39	4-06-94-39	4-06-16-39	4-06-17-39	4-06-12-39	4-06-18-39
400	4-06-13-40	4-06-14-40	4-06-15-40	4-06-94-40	4-06-16-40	4-06-17-40	4-06-12-40	4-06-18-40
410	4-06-13-41	4-06-14-41	4-06-15-41	4-06-94-41	4-06-16-41	4-06-17-41	4-06-12-41	4-06-18-41
420	4-06-13-42	4-06-14-42	4-06-15-42	4-06-94-42	4-06-16-42	4-06-17-42	4-06-12-42	4-06-18-42
430	-	4-06-14-43	4-06-15-43	4-06-94-43	4-06-16-43	4-06-17-43	4-06-12-43	4-06-18-43
440	-	4-06-14-44	4-06-15-44	4-06-94-44	4-06-16-44	4-06-17-44	4-06-12-44	4-06-18-44
450	-	4-06-14-45	4-06-15-45	4-06-94-45	4-06-16-45	4-06-17-45	4-06-12-45	4-06-18-45
460	-	-	4-06-15-46	4-06-94-46	4-06-16-46	4-06-17-46	4-06-12-46	4-06-18-46
470	-	-	4-06-15-47	4-06-94-47	4-06-16-47	4-06-17-47	4-06-12-47	4-06-18-47
480	-	-	4-06-15-48	4-06-94-48	4-06-16-48	4-06-17-48	4-06-12-48	4-06-18-48
490	-	-	4-06-15-49	4-06-94-49	4-06-16-49	4-06-17-49	4-06-12-49	4-06-18-49
500	-	-	4-06-15-50	4-06-94-50	4-06-16-50	4-06-17-50	4-06-12-50	4-06-18-50



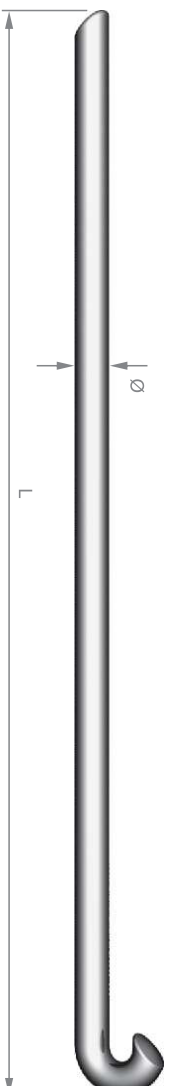
▶ **СТЕРЖЕНЬ ЭНДЕРА ПРЯМОЙ**
ENDER STRAIGHT NAIL

L [mm]	ø=3,5 [mm]	ø=4,0 [mm]	ø=4,5 [mm]	ø=5,0 [mm]	L [mm]	ø=3,5 [mm]	ø=4,0 [mm]	ø=4,5 [mm]	ø=5,0 [mm]
200	4-06-19-20	4-06-20-20	4-06-21-20	4-06-22-20	360	4-06-19-36	4-06-20-36	4-06-21-36	4-06-22-36
210	4-06-19-21	4-06-20-21	4-06-21-21	4-06-22-21	370	4-06-19-37	4-06-20-37	4-06-21-37	4-06-22-37
220	4-06-19-22	4-06-20-22	4-06-21-22	4-06-22-22	380	4-06-19-38	4-06-20-38	4-06-21-38	4-06-22-38
230	4-06-19-23	4-06-20-23	4-06-21-23	4-06-22-23	390	4-06-19-39	4-06-20-39	4-06-21-39	4-06-22-39
240	4-06-19-24	4-06-20-24	4-06-21-24	4-06-22-24	400	4-06-19-40	4-06-20-40	4-06-21-40	4-06-22-40
250	4-06-19-25	4-06-20-25	4-06-21-25	4-06-22-25	410	4-06-19-41	4-06-20-41	4-06-21-41	4-06-22-41
260	4-06-19-26	4-06-20-26	4-06-21-26	4-06-22-26	420	4-06-19-42	4-06-20-42	4-06-21-42	4-06-22-42
270	4-06-19-27	4-06-20-27	4-06-21-27	4-06-22-27	430	4-06-19-43	4-06-20-43	4-06-21-43	4-06-22-43
280	4-06-19-28	4-06-20-28	4-06-21-28	4-06-22-28	440	4-06-19-44	4-06-20-44	4-06-21-44	4-06-22-44
290	4-06-19-29	4-06-20-29	4-06-21-29	4-06-22-29	450	4-06-19-45	4-06-20-45	4-06-21-45	4-06-22-45
300	4-06-19-30	4-06-20-30	4-06-21-30	4-06-22-30	460	4-06-19-46	4-06-20-46	4-06-21-46	4-06-22-46
310	4-06-19-31	4-06-20-31	4-06-21-31	4-06-22-31	470	4-06-19-47	4-06-20-47	4-06-21-47	4-06-22-47
320	4-06-19-32	4-06-20-32	4-06-21-32	4-06-22-32	480	4-06-19-48	4-06-20-48	4-06-21-48	4-06-22-48
330	4-06-19-33	4-06-20-33	4-06-21-33	4-06-22-33	490	4-06-19-49	4-06-20-49	4-06-21-49	4-06-22-49
340	4-06-19-34	4-06-20-34	4-06-21-34	4-06-22-34	500	4-06-19-50	4-06-20-50	4-06-21-50	4-06-22-50
350	4-06-19-35	4-06-20-35	4-06-21-35	4-06-22-35					



▶ **СПИЦА ИНТРАМЕДУЛЛЯРНАЯ**
ДЛЯ ДЕТЕЙ
INTRAMEDULLARY WIRES
FOR CHILDREN

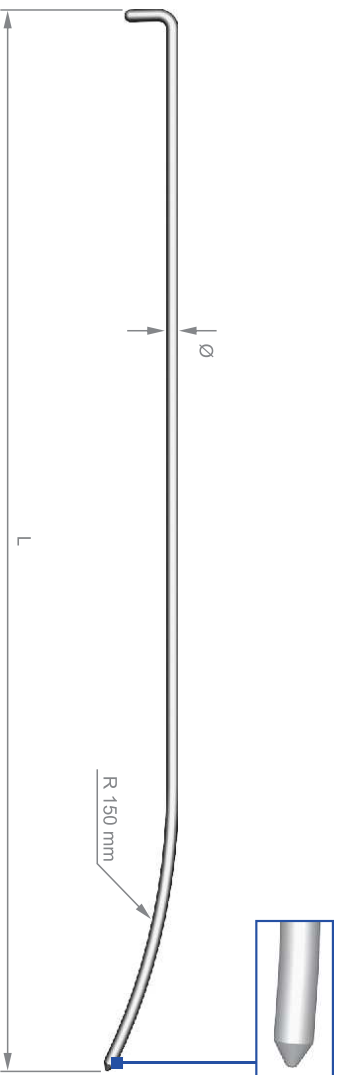
ø [mm]	L [mm]	A	B	ø [mm]	L [mm]	A	B
1,6	250	4-06-23-25	4-06-23-25/01	2,5	240	4-06-96-24	4-06-96-24/01
1,6	400	4-06-23-40	4-06-23-40/01	2,5	280	4-06-96-28	4-06-96-28/01
2,0	200	4-06-95-20	4-06-95-20/01	2,5	320	4-06-96-32	4-06-96-32/01
2,0	240	4-06-95-24	4-06-95-24/01	2,5	360	4-06-96-36	4-06-96-36/01
2,0	280	4-06-95-28	4-06-95-28/01	2,5	400	4-06-96-40	4-06-96-40/01
2,0	310	4-06-95-31	4-06-95-31/01	3,0	240	4-06-97-24	4-06-97-24/01
2,0	320	4-06-95-32	4-06-95-32/01	3,0	280	4-06-97-28	4-06-97-28/01
2,0	400	4-06-95-40	4-06-95-40/01	3,0	320	4-06-97-32	4-06-97-32/01
2,2	310	4-06-51-31	4-06-51-31/01	3,0	360	4-06-97-36	4-06-97-36/01
2,2	400	4-06-51-40	4-06-51-40/01	3,0	400	4-06-97-40	4-06-97-40/01
2,5	200	4-06-96-20	4-06-96-20/01				



КОСТНЫЕ СТЕРЖНИ, ПРОВОЛОКА, ШТИФТЫ, СКОБЫ / BONE NAILS, WIRES, PINS, STAPLES

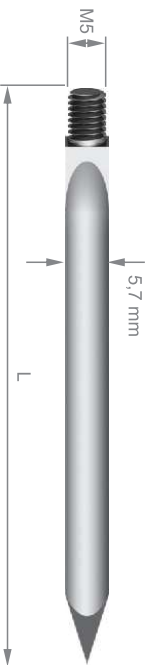
**СТЕРЖЕНЬ РАША
RUSH NAIL**

L [mm]	Ø=2,4 [mm]	Ø=3,2 [mm]	Ø=4,0 [mm]	Ø=4,8 [mm]	Ø=5,0 [mm]	Ø=6,0 [mm]	Ø=6,4 [mm]
25	4-06-24-25	-	-	-	-	-	-
30	4-06-24-30	-	-	-	-	-	-
35	4-06-24-35	-	-	-	-	-	-
40	4-06-24-40	-	-	-	-	-	-
45	4-06-24-45	-	-	-	-	-	-
50	4-06-24-50	-	-	-	-	-	-
55	4-06-24-55	-	-	-	-	-	-
60	4-06-24-60	-	-	-	-	-	-
65	4-06-24-65	-	-	-	-	-	-
70	4-06-24-70	-	-	-	-	-	-
75	4-06-24-75	-	-	-	-	-	-
80	4-06-24-80	-	-	-	-	-	-
85	4-06-24-85	-	-	-	-	-	-
90	4-06-24-90	-	-	-	-	-	-
95	4-06-24-95	-	-	-	-	-	-
100	4-06-24-100	4-06-25-100	-	-	-	-	-
110	4-06-24-110	4-06-25-110	-	-	-	-	-
115	4-06-24-115	4-06-25-115	-	-	-	-	-
120	4-06-24-120	4-06-25-120	-	-	-	-	-
125	4-06-24-125	4-06-25-125	-	-	-	-	-
130	4-06-24-130	4-06-25-130	-	-	-	-	-
140	4-06-24-140	4-06-25-140	-	-	-	-	-
150	4-06-24-150	4-06-25-150	-	-	-	-	-
160	4-06-24-160	4-06-25-160	-	-	-	-	-
165	4-06-24-165	4-06-25-165	-	-	-	-	-
170	4-06-24-170	4-06-25-170	-	-	-	-	-
180	4-06-24-180	4-06-25-180	-	-	-	-	-
190	4-06-24-190	4-06-25-190	-	-	-	-	-
200	4-06-24-200	4-06-25-200	4-06-26-200	4-06-27-200	4-06-28-200	-	-
205	4-06-24-205	4-06-25-205	4-06-26-205	4-06-27-205	4-06-28-205	-	-
210	4-06-24-210	4-06-25-210	4-06-26-210	4-06-27-210	4-06-28-210	-	-
215	4-06-24-215	4-06-25-215	4-06-26-215	4-06-27-215	4-06-28-215	-	-
220	4-06-24-220	4-06-25-220	4-06-26-220	4-06-27-220	4-06-28-220	-	-
230	4-06-24-230	4-06-25-230	4-06-26-230	4-06-27-230	4-06-28-230	-	-
240	4-06-24-240	4-06-25-240	4-06-26-240	4-06-27-240	4-06-28-240	-	-
250	4-06-24-250	4-06-25-250	4-06-26-250	4-06-27-250	4-06-28-250	4-06-29-250	-
255	-	4-06-25-255	4-06-26-255	4-06-27-255	4-06-28-255	4-06-29-255	-
260	-	4-06-25-260	4-06-26-260	4-06-27-260	4-06-28-260	4-06-29-260	-
265	-	-	4-06-26-265	4-06-27-265	4-06-28-265	4-06-29-265	-
270	-	-	4-06-26-270	4-06-27-270	4-06-28-270	4-06-29-270	4-06-30-270
280	-	-	4-06-26-280	4-06-27-280	4-06-28-280	4-06-29-280	4-06-30-280
290	-	-	4-06-26-290	4-06-27-290	4-06-28-290	4-06-29-290	4-06-30-290
295	-	-	4-06-26-295	4-06-27-295	4-06-28-295	4-06-29-295	4-06-30-295
300	-	-	4-06-26-300	4-06-27-300	4-06-28-300	4-06-29-300	4-06-30-300
310	-	-	4-06-26-310	4-06-27-310	4-06-28-310	4-06-29-310	4-06-30-310
315	-	-	4-06-26-315	4-06-27-315	4-06-28-315	4-06-29-315	4-06-30-315
320	-	-	4-06-26-320	4-06-27-320	4-06-28-320	4-06-29-320	4-06-30-320
330	-	-	4-06-26-330	4-06-27-330	4-06-28-330	4-06-29-330	4-06-30-330
335	-	-	4-06-26-335	4-06-27-335	4-06-28-335	4-06-29-335	4-06-30-335
340	-	-	4-06-26-340	4-06-27-340	4-06-28-340	4-06-29-340	4-06-30-340
350	-	-	4-06-26-350	4-06-27-350	4-06-28-350	4-06-29-350	4-06-30-350
355	-	-	4-06-26-355	4-06-27-355	4-06-28-355	4-06-29-355	4-06-30-355
360	-	-	4-06-26-360	4-06-27-360	4-06-28-360	4-06-29-360	4-06-30-360
365	-	-	4-06-26-365	4-06-27-365	4-06-28-365	4-06-29-365	4-06-30-365
370	-	-	4-06-26-370	4-06-27-370	4-06-28-370	4-06-29-370	4-06-30-370
375	-	-	-	-	-	4-06-29-375	4-06-30-375
380	-	-	-	-	-	4-06-29-380	4-06-30-380
390	-	-	-	-	-	4-06-29-390	4-06-30-390
400	-	-	-	-	-	4-06-29-400	4-06-30-400
410	-	-	-	-	-	4-06-29-410	4-06-30-410
420	-	-	-	-	-	4-06-29-420	4-06-30-420
430	-	-	-	-	-	4-06-29-430	4-06-30-430



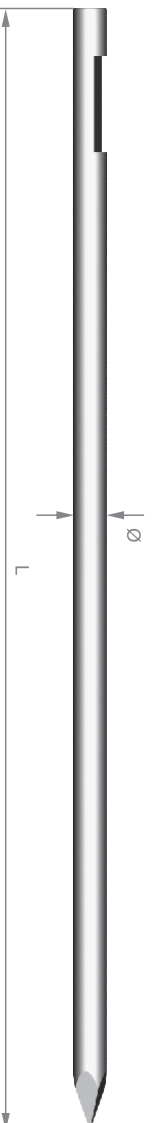
▶ **СТИЦА ХАКЕТАЛ**
НАЧЕТНАЛ WIRE

∅ [mm]	L [mm]	A	L [mm]	A	L [mm]	A
1,6		4-06-31-16		4-06-31-16/30		4-06-31-16/25
2,0	330	4-06-31-20	300	4-06-31-20/30	250	4-06-31-20/25
2,5		4-06-31-25		4-06-31-25/30		4-06-31-25/25
3,0		4-06-31-30		4-06-31-30/30		4-06-31-30/25



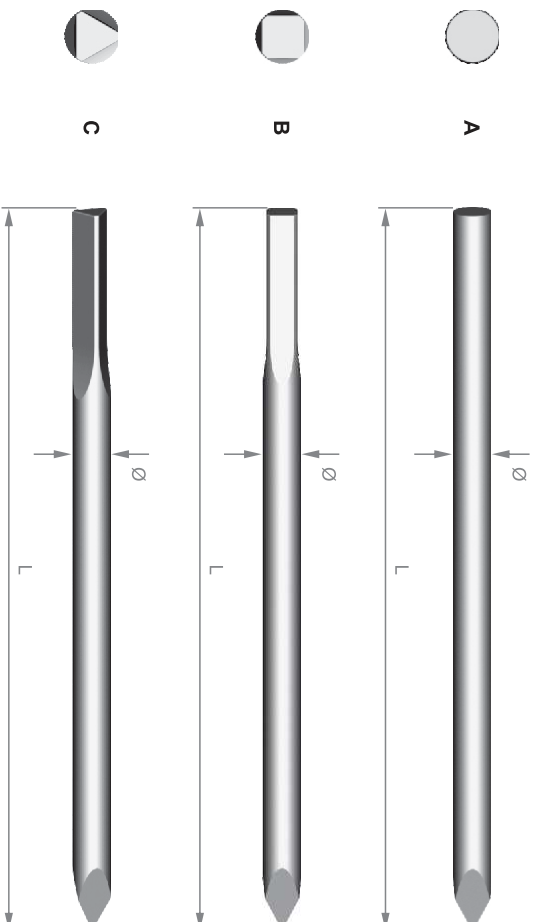
▶ **ГВОЗДЬ NYSTRÖM - SZULC**
NYSTRÖM - SZULC NAIL

L [mm]	Nr Kat.
70	4-06-34-07
80	4-06-34-08
90	4-06-34-09
100	4-06-34-10
110	4-06-34-11
120	4-06-34-12
130	4-06-34-13
140	4-06-34-14



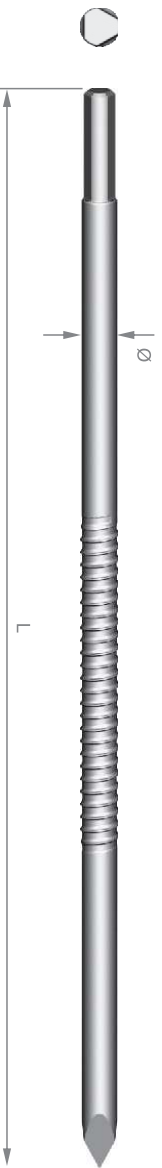
▶ **ГРОТ ШТАЙМАНА - ГРУЦЫ**
STEINMANN - GRUCA NAIL

∅ [mm]	L [mm]	A	∅ [mm]	L [mm]	A
3,0	80	4-06-35-01	4,0	170	4-06-35-05
3,0	90	4-06-35-02	4,0	190	4-06-35-06
3,0	100	4-06-35-03	4,0	210	4-06-35-07
3,0	120	4-06-35-08	5,0	80	4-06-35-20
3,0	140	4-06-35-09	5,0	90	4-06-35-21
3,0	170	4-06-35-10	5,0	100	4-06-35-22
3,0	190	4-06-35-11	5,0	120	4-06-35-23
3,0	210	4-06-35-12	5,0	140	4-06-35-24
4,0	80	4-06-35-13	5,0	150	4-06-35-25
4,0	90	4-06-35-14	5,0	160	4-06-35-26
4,0	100	4-06-35-15	5,0	170	4-06-35-27
4,0	120	4-06-35-16	5,0	190	4-06-35-28
4,0	140	4-06-35-04	5,0	210	4-06-35-29



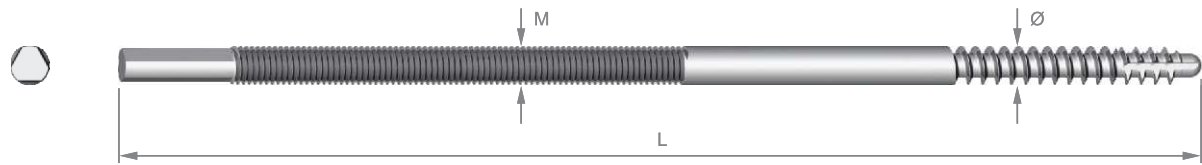
**▶ ГРОТ ШТАЙМАННА
STEINMANN PIN**

L [mm]	Ø = 4,0 mm			Ø = 4,5 mm			Ø = 5,0 mm		
	A	B	C	A	B	C	A	B	C
80	4-06-37-08	4-06-38-08	4-06-39-08	4-06-40-08	4-06-41-08	4-06-42-08	4-06-43-08	4-06-44-08	4-06-45-08
90	4-06-37-09	4-06-38-09	4-06-39-09	4-06-40-09	4-06-41-09	4-06-42-09	4-06-43-09	4-06-44-09	4-06-45-09
100	4-06-37-10	4-06-38-10	4-06-39-10	4-06-40-10	4-06-41-10	4-06-42-10	4-06-43-10	4-06-44-10	4-06-45-10
110	4-06-37-11	4-06-38-11	4-06-39-11	4-06-40-11	4-06-41-11	4-06-42-11	4-06-43-11	4-06-44-11	4-06-45-11
120	4-06-37-12	4-06-38-12	4-06-39-12	4-06-40-12	4-06-41-12	4-06-42-12	4-06-43-12	4-06-44-12	4-06-45-12
130	4-06-37-13	4-06-38-13	4-06-39-13	4-06-40-13	4-06-41-13	4-06-42-13	4-06-43-13	4-06-44-13	4-06-45-13
140	4-06-37-14	4-06-38-14	4-06-39-14	4-06-40-14	4-06-41-14	4-06-42-14	4-06-43-14	4-06-44-14	4-06-45-14
150	4-06-37-15	4-06-38-15	4-06-39-15	4-06-40-15	4-06-41-15	4-06-42-15	4-06-43-15	4-06-44-15	4-06-45-15
160	4-06-37-16	4-06-38-16	4-06-39-16	4-06-40-16	4-06-41-16	4-06-42-16	4-06-43-16	4-06-44-16	4-06-45-16
170	4-06-37-17	4-06-38-17	4-06-39-17	4-06-40-17	4-06-41-17	4-06-42-17	4-06-43-17	4-06-44-17	4-06-45-17
180	4-06-37-18	4-06-38-18	4-06-39-18	4-06-40-18	4-06-41-18	4-06-42-18	4-06-43-18	4-06-44-18	4-06-45-18
190	4-06-37-19	4-06-38-19	4-06-39-19	4-06-40-19	4-06-41-19	4-06-42-19	4-06-43-19	4-06-44-19	4-06-45-19
200	4-06-37-20	4-06-38-20	4-06-39-20	4-06-40-20	4-06-41-20	4-06-42-20	4-06-43-20	4-06-44-20	4-06-45-20
210	4-06-37-21	4-06-38-21	4-06-39-21	4-06-40-21	4-06-41-21	4-06-42-21	4-06-43-21	4-06-44-21	4-06-45-21
220	4-06-37-22	4-06-38-22	4-06-39-22	4-06-40-22	4-06-41-22	4-06-42-22	4-06-43-22	4-06-44-22	4-06-45-22
250	4-06-37-25	4-06-38-25	4-06-39-25	4-06-40-25	4-06-41-25	4-06-42-25	4-06-43-25	4-06-44-25	4-06-45-25
280	4-06-37-28	4-06-38-28	4-06-39-28	4-06-40-28	4-06-41-28	4-06-42-28	4-06-43-28	4-06-44-28	4-06-45-28
300	4-06-37-30	4-06-38-30	4-06-39-30	4-06-40-30	4-06-41-30	4-06-42-30	4-06-43-30	4-06-44-30	4-06-45-30



**▶ ГРОТ ШТАЙМАННА С РЕЗЬБОЙ
STEINMANN SCREW**

L [mm]	Ø=4,0 [mm]	Ø=4,5 [mm]	Ø=5 [mm]	Ø=3,0 [mm]
150	4-06-46-15	4-06-47-15	4-06-48-15	4-06-50-15
180	4-06-46-18	4-06-47-18	4-06-48-18	4-06-50-18
200	4-06-46-20	4-06-47-20	4-06-48-20	4-06-50-20
220	4-06-46-22	4-06-47-22	4-06-48-22	4-06-50-22
250	4-06-46-25	4-06-47-25	4-06-48-25	4-06-50-25
280	4-06-46-28	4-06-47-28	4-06-48-28	4-06-50-28
300	4-06-46-30	4-06-47-30	4-06-48-30	4-06-50-30



СТЕРЖЕНЬ "R"
SCREW "R"

L [mm]	Ø [mm]	M [mm]	№ кат.
150	5,0	M5	4-06-49-01
150	6,0	M6	4-06-49-02
150	7,0	M7	4-06-49-03
180	5,0	M5	4-06-49-04
180	6,0	M6	4-06-49-05
180	7,0	M7	4-06-49-06

ГАЙКА 1шт. / в компл.
CAP

M [mm]	№ кат.
M5	4-06-49-10
M6	4-06-49-11
M7	4-06-49-12

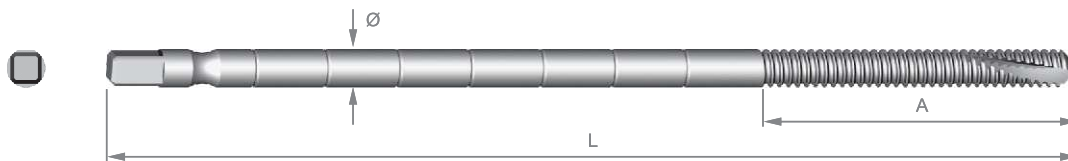
ВТУЛКА ИЗОЛЯЦИОННАЯ 1шт. / в компл.
INSULATING SLEEVE

Ø [mm]	№ кат.
5,0	4-06-49-20
6,0	4-06-49-21
7,0	4-06-49-22



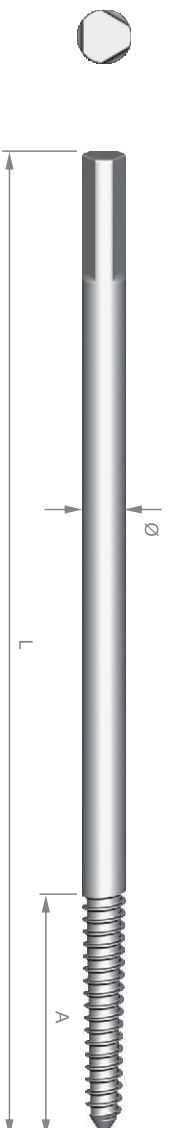
СТЕРЖЕНЬ ШАНЦА С РЕЗЬБОЙ
SHANZ SCREW

L [mm]	Ø=2,5 [mm]	Ø=3,0 [mm]	Ø=4,0 [mm]	Ø=4,5 [mm]	Ø=5,0 [mm]	Ø=6,0 [mm]	Ø=7,0 [mm]
40	4-06-52-04	4-06-53-04	4-06-54-04	4-06-55-04	4-06-56-04	4-06-57-04	4-06-58-04
60	4-06-52-06	4-06-53-06	4-06-54-06	4-06-55-06	4-06-56-06	4-06-57-06	4-06-58-06
80	4-06-52-08	4-06-53-08	4-06-54-08	4-06-55-08	4-06-56-08	4-06-57-08	4-06-58-08
100	4-06-52-10	4-06-53-10	4-06-54-10	4-06-55-10	4-06-56-10	4-06-57-10	4-06-58-10
120	4-06-52-12	4-06-53-12	4-06-54-12	4-06-55-12	4-06-56-12	4-06-57-12	4-06-58-12
130	4-06-52-13	4-06-53-13	4-06-54-13	4-06-55-13	4-06-56-13	4-06-57-13	4-06-58-13
150	4-06-52-15	4-06-53-15	4-06-54-15	4-06-55-15	4-06-56-15	4-06-57-15	4-06-58-15
180	4-06-52-18	4-06-53-18	4-06-54-18	4-06-55-18	4-06-56-18	4-06-57-18	4-06-58-18
200	4-06-52-20	4-06-53-20	4-06-54-20	4-06-55-20	4-06-56-20	4-06-57-20	4-06-58-20
220	4-06-52-22	4-06-53-22	4-06-54-22	4-06-55-22	4-06-56-22	4-06-57-22	4-06-58-22
250	4-06-52-25	4-06-53-25	4-06-54-25	4-06-55-25	4-06-56-25	4-06-57-25	4-06-58-25
280	4-06-52-28	4-06-53-28	4-06-54-28	4-06-55-28	4-06-56-28	4-06-57-28	4-06-58-28
300	4-06-52-30	4-06-53-30	4-06-54-30	4-06-55-30	4-06-56-30	4-06-57-30	4-06-58-30



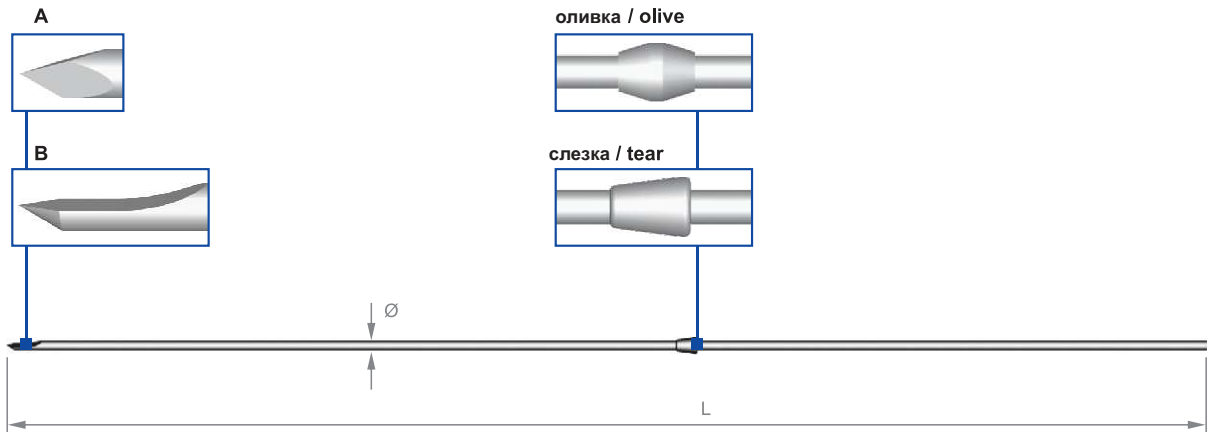
СТЕРЖЕНЬ АРЕХ С РЕЗЬБОЙ
APEX SCREW

Ø [mm]	L [mm]	A [mm]	№ кат.	Ø [mm]	L [mm]	A [mm]	№ кат.	Ø [mm]	L [mm]	A [mm]	№ кат.	Ø [mm]	L [mm]	A [mm]	№ кат.
4,0	95	35	4-06-59-02	3,0	60	10	4-06-59-30	4,0	120	30	4-06-59-44	5,0	150	50	4-06-59-54
4,0	135	45	4-06-59-03	3,0	80	10	4-06-59-31	4,0	120	35	4-06-59-45	5,0	175	55	4-06-59-55
4,0	180	55	4-06-59-04	3,0	80	15	4-06-59-32	4,0	150	40	4-06-59-46	5,0	180	60	4-06-59-56
5,0	95	35	4-06-59-12	3,0	80	20	4-06-59-33	4,0	150	50	4-06-59-47	5,0	200	50	4-06-59-57
5,0	135	45	4-06-59-13	3,0	110	10	4-06-59-34	4,0	175	50	4-06-59-48	5,0	200	60	4-06-59-58
5,0	180	55	4-06-59-14	3,0	110	25	4-06-59-35	4,0	180	50	4-06-59-49	5,0	250	50	4-06-59-59
6,0	95	35	4-06-59-22	4,0	90	10	4-06-59-41	5,0	120	30	4-06-59-51	5,0	250	70	4-06-59-60
6,0	135	45	4-06-59-23	4,0	90	20	4-06-59-42	5,0	120	35	4-06-59-52	6,0	150	50	4-06-59-71
6,0	180	55	4-06-59-24	4,0	90	30	4-06-59-43	5,0	150	40	4-06-59-53	6,0	180	60	4-06-59-72
												6,0	200	70	4-06-59-73
												6,0	250	80	4-06-59-74



СТЕРЖЕНЬ КОНУСНЫЙ С РЕЗЬБОЙ
CONICAL SCREW

L [mm]	A [mm]	Ø=2,5 [mm]	Ø=3,0 [mm]	Ø=4,0 [mm]	Ø=4,5 [mm]	Ø=5,0 [mm]	Ø=6,0 [mm]	Сторонний Специальный Ø=6,0[mm]
60	20	4-06-61-01	4-06-62-01	4-06-63-01	4-06-64-01	4-06-65-01	4-06-66-01	4-06-67-01
60	25	4-06-61-02	4-06-62-02	4-06-63-02	4-06-64-02	4-06-65-02	4-06-66-02	-
60	30	-	-	4-06-63-03	4-06-64-03	4-06-65-03	4-06-66-03	-
80	20	4-06-61-03	4-06-62-03	-	-	-	-	-
80	25	4-06-61-04	4-06-62-04	-	4-06-64-04	4-06-65-04	-	-
80	30	4-06-61-05	4-06-62-05	4-06-63-04	4-06-64-05	4-06-65-05	4-06-66-04	4-06-67-02
80	40	-	-	4-06-63-05	-	-	4-06-66-05	4-06-67-03
100	25	4-06-61-06	4-06-62-06	-	-	-	-	-
100	30	4-06-61-07	4-06-62-07	4-06-63-06	4-06-64-06	4-06-65-06	4-06-66-06	4-06-67-04
100	40	-	-	4-06-63-07	4-06-64-07	4-06-65-07	4-06-66-07	4-06-67-05
120	30	4-06-61-08	4-06-62-08	4-06-63-08	4-06-64-08	4-06-65-08	4-06-66-08	4-06-67-06
120	40	4-06-61-09	4-06-62-09	4-06-63-09	4-06-64-09	4-06-65-09	4-06-66-09	4-06-67-07
120	50	-	-	-	-	-	-	4-06-67-08
120	60	-	-	-	-	-	-	4-06-67-09
130	30	4-06-61-10	4-06-62-10	4-06-63-10	4-06-64-10	4-06-65-10	4-06-66-10	-
130	40	4-06-61-11	4-06-62-11	4-06-63-11	4-06-64-11	4-06-65-11	4-06-66-11	4-06-67-10
130	50	-	-	-	4-06-64-12	4-06-65-12	4-06-66-12	4-06-67-11
130	60	-	-	-	-	-	-	4-06-67-12
150	40	4-06-61-12	4-06-62-12	4-06-63-12	4-06-64-13	4-06-65-13	4-06-66-13	-
150	50	-	-	-	-	4-06-65-14	4-06-66-14	4-06-67-13
150	60	-	-	-	-	4-06-65-15	4-06-66-15	4-06-67-14
180	40	4-06-61-13	4-06-62-13	4-06-63-13	4-06-64-14	4-06-65-16	4-06-66-16	-
180	50	4-06-61-14	4-06-62-14	4-06-63-14	4-06-64-15	4-06-65-17	4-06-66-17	-
180	60	-	-	-	-	4-06-65-18	4-06-66-18	-
180	70	-	-	-	-	-	4-06-66-19	4-06-67-15
180	80	-	-	-	-	-	4-06-66-20	4-06-67-16
180	90	-	-	-	-	-	4-06-66-21	4-06-67-17
180	100	-	-	-	-	-	4-06-66-22	4-06-67-18
200	40	4-06-61-15	4-06-62-15	4-06-63-15	4-06-64-16	4-06-65-19	4-06-66-23	-
200	50	4-06-61-16	4-06-62-16	4-06-63-16	4-06-64-17	4-06-65-20	4-06-66-24	-
200	60	-	-	-	-	4-06-65-21	4-06-66-25	-
200	70	-	-	-	-	-	4-06-66-26	4-06-67-19
200	80	-	-	-	-	-	4-06-66-27	4-06-67-20
200	90	-	-	-	-	-	4-06-66-28	4-06-67-21
200	100	-	-	-	-	-	4-06-66-29	4-06-67-22
220	50	4-06-61-17	4-06-62-17	4-06-63-17	4-06-64-18	4-06-65-22	4-06-66-30	-
220	60	-	-	-	-	4-06-65-23	4-06-66-31	-
220	70	-	-	-	-	-	4-06-66-32	-
220	80	-	-	-	-	-	4-06-66-33	-
220	90	-	-	-	-	-	4-06-66-34	-
220	100	-	-	-	-	-	4-06-66-35	-
250	50	4-06-61-18	4-06-62-18	4-06-63-18	4-06-64-19	4-06-65-24	4-06-66-36	-
250	60	-	-	-	-	4-06-65-25	4-06-66-37	-
250	70	-	-	-	-	-	4-06-66-38	-
250	80	-	-	-	-	-	4-06-66-39	-
250	90	-	-	-	-	-	4-06-66-40	-
250	100	-	-	-	-	-	4-06-66-41	-



**ГВОЗДЬ КОСТНЫЙ С ОГРАНИЧИТЕЛЕМ
BONE NAIL WITH LIMITER**

L [mm]	Ø [mm]	Лезвие Blade	Оливка Olive	Слезка Tear
330	1,5	A	4-06-68-01	4-06-69-01
330	1,8	A	4-06-68-02	4-06-69-02
330	2,0	A	4-06-68-03	4-06-69-03
330	2,5	A	4-06-68-04	4-06-69-04
380	1,5	A	4-06-68-05	4-06-69-05
380	1,8	A	4-06-68-06	4-06-69-06
380	2,0	A	4-06-68-07	4-06-69-07
380	2,5	A	4-06-68-08	4-06-69-08
330	1,5	B	4-06-68-11	4-06-69-11
330	1,8	B	4-06-68-12	4-06-69-12
330	2,0	B	4-06-68-13	4-06-69-13
330	2,5	B	4-06-68-14	4-06-69-14
380	1,5	B	4-06-68-15	4-06-69-15
380	1,8	B	4-06-68-16	4-06-69-16
380	2,0	B	4-06-68-17	4-06-69-17
380	2,5	B	4-06-68-18	4-06-69-18



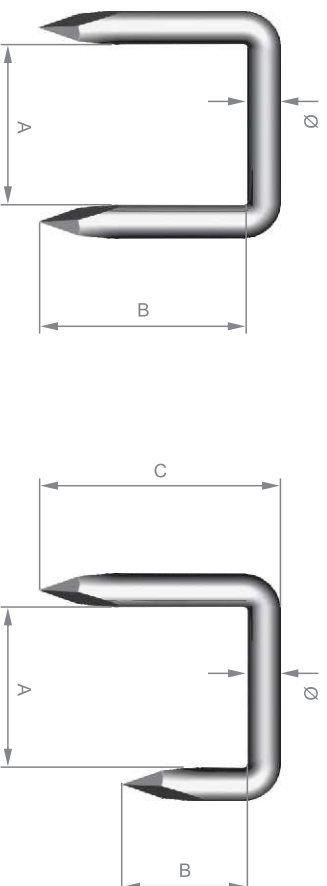
**ПРОВОЛОКА ДЛЯ ЦЕРКЛЯЖА = 5 м
WIRE FOR CERCLAGE L=5 m**

Ø [mm]	мягкая soft	твёрдая hard
0,2	4-06-90-02	4-06-91-02
0,3	4-06-90-03	4-06-91-03
0,4	4-06-90-04	4-06-91-04
0,5	4-06-90-05	4-06-91-05
0,6	4-06-90-06	4-06-91-06
0,7	4-06-90-07	4-06-91-07
0,8	4-06-90-08	4-06-91-08
0,9	4-06-90-09	4-06-91-09
1,0	4-06-90-10	4-06-91-10
1,2	4-06-90-12	4-06-91-12
1,5	4-06-90-15	4-06-91-15



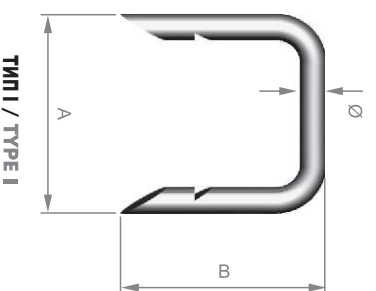
**ПРОВОЛОКА ДЛЯ ЦЕРКЛЯЖА С ГЛАЗКОМ
WIRE FOR CERCLAGE WITH EYE**

L [mm]	Ø [mm]	№ кат.
280	0,8	4-06-142-280
280	1,0	4-06-143-280
280	1,2	4-06-144-280
280	1,5	4-06-145-280
350	1,0	4-06-143-350
350	1,2	4-06-144-350
350	1,5	4-06-145-350
600	1,0	4-06-143-600
600	1,2	4-06-144-600
600	1,5	4-06-145-600

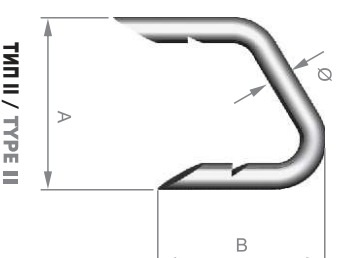


**СКОБА ВИЛЬБЕРГА
WILBERG STAPLE**

A [mm]	B [mm]	C [mm]	Ø=2,5 [mm]	Ø=3,0 [mm]	Ø=3,5 [mm]	Ø=4,0 [mm]
15	20	-	4-06-70-01	4-06-70-04	4-06-70-07	4-06-70-10
20	20	-	4-06-70-02	4-06-70-05	4-06-70-08	4-06-70-11
20	25	-	4-06-70-03	4-06-70-06	4-06-70-09	4-06-70-12
15	10	20	4-06-71-01	4-06-71-04	4-06-71-07	4-06-71-10
20	10	20	4-06-71-02	4-06-71-05	4-06-71-08	4-06-71-11
20	15	25	4-06-71-03	4-06-71-06	4-06-71-09	4-06-71-12



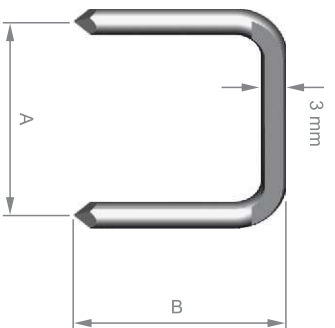
ТИП I / TYPE I



ТИП II / TYPE II

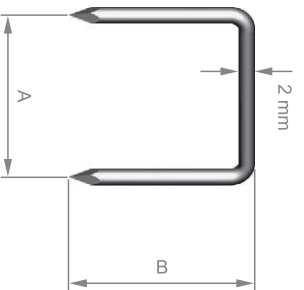
**СКОБЫ КОСТНЫЕ
BONE STAPLES**

Ø [mm]	A [mm]	B [mm]	ТИП I TYPE I	ТИП II TYPE II
3,2	20	25	4-06-73-01	4-06-74-01
3,2	25	25	4-06-73-02	4-06-74-02
3,2	30	25	4-06-73-03	4-06-74-03
3,2	35	25	4-06-73-04	4-06-74-04
3,2	40	25	4-06-73-05	4-06-74-05
3,2	20	30	4-06-73-06	4-06-74-06
3,2	25	30	4-06-73-07	4-06-74-07
3,2	30	30	4-06-73-08	4-06-74-08
3,2	35	30	4-06-73-09	4-06-74-09
3,2	40	30	4-06-73-10	4-06-74-10
2,5	20	15	4-06-73-11	4-06-74-11
2,5	25	15	4-06-73-12	4-06-74-12
2,5	30	15	4-06-73-13	4-06-74-13
2,5	20	20	4-06-73-14	4-06-74-14
2,5	25	20	4-06-73-15	4-06-74-15
2,5	30	20	4-06-73-16	4-06-74-16



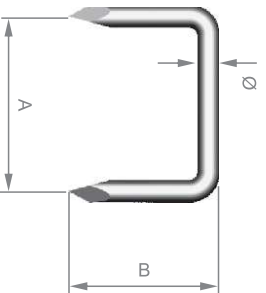
СКОБА КОСТНАЯ
BONE STAPLE

A [mm]	B [mm]	№ кат.
18	20	4-06-77-01
25	20	4-06-77-02



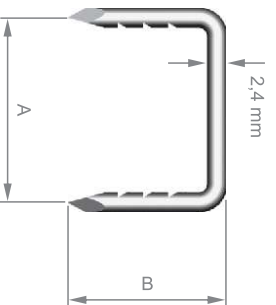
СКОБА КОСТНАЯ
BONE STAPLE

A [mm]	B [mm]	№ кат.
10	19	4-06-79-01
16	22	4-06-79-02
22	22	4-06-79-03



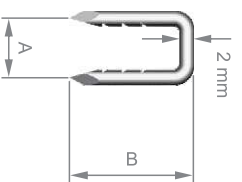
СКОБА КОСТНАЯ
BONE STAPLE

Ø [mm]	A [mm]	B [mm]	№ кат.
1,6	16	19	4-06-81-01
1,6	22	19	4-06-81-02
2,4	16	19	4-06-81-03
2,4	22	19	4-06-81-04
2,8	16	19	4-06-81-05
2,8	22	19	4-06-81-06



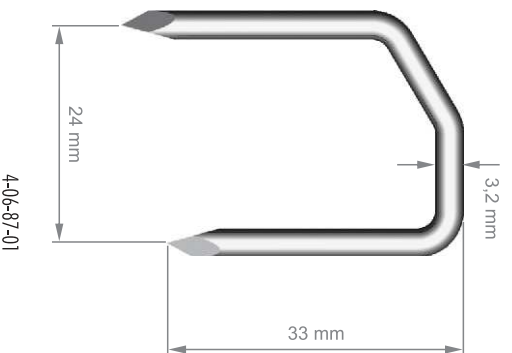
СКОБА КОСТНАЯ
BONE STAPLE

A [mm]	B [mm]	№ кат.
16	19	4-06-84-01
22	19	4-06-84-02

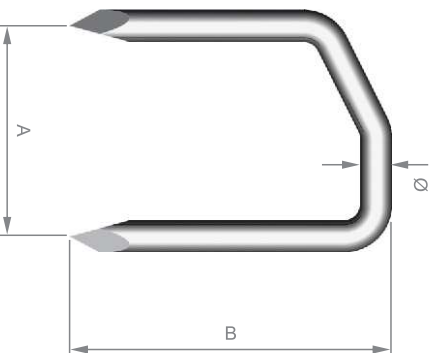


СКОБА КОСТНАЯ
BONE STAPLE

A [mm]	B [mm]	№ кат.
9	16	4-06-86-01
9	19	4-06-86-02
9	22	4-06-86-03
9	25	4-06-86-04

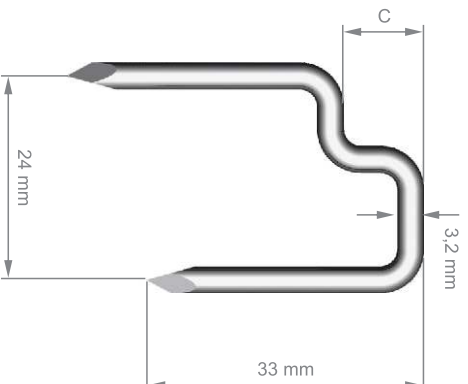


СКОБА КОСТНАЯ
BONE STAPLE



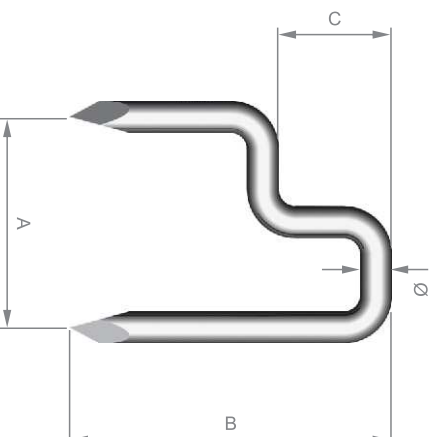
СКОБА КОСТНАЯ
BONE STAPLE

Ø [mm]	A [mm]	B [mm]	№ кат.
2	24	33	4-06-88-01
3,2	24	33	4-06-88-04
3,2	26	35	4-06-89-01
4	26	40	4-06-89-04



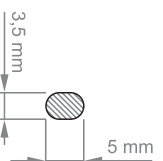
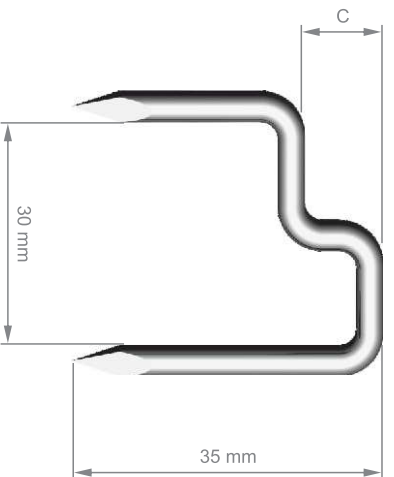
СКОБА КОСТНАЯ
BONE STAPLE

C [mm]	№ кат.
9,5	4-06-87-02
14	4-06-87-03



СКОБА КОСТНАЯ
BONE STAPLE

Ø [mm]	A [mm]	B [mm]	C [mm]	№ кат.
2	24	33	9,5	4-06-88-02
2	24	33	14	4-06-88-03
3,2	24	33	9,5	4-06-88-05
3,2	24	33	14	4-06-88-06
3,2	26	35	8	4-06-89-02
3,2	26	35	14	4-06-89-03
4	26	40	8	4-06-89-05
4	26	40	14	4-06-89-06



СКОБА КОСТНАЯ
BONE STAPLE

C [mm]	№ кат.
10	4-06-92-01
15	4-06-92-02